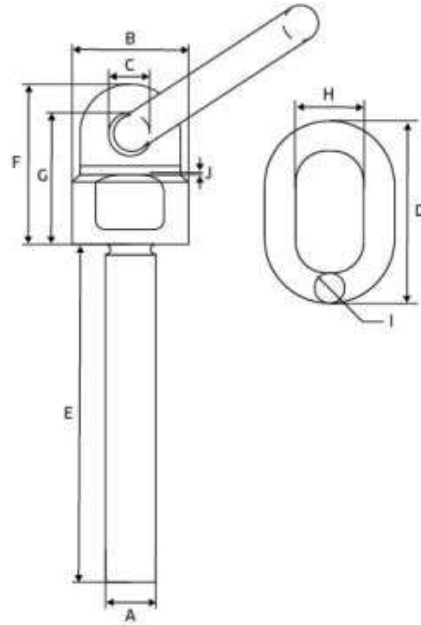


Long thread



WLL kg	A mm	B mm	C mm	D mm	E mm	F mm	G mm	H mm	I mm	J mm	Gewicht kg
900	M10	36	16.5	81	90	51	41	30	14	1	0.55
1.000	M12	36	15.5	81	110	51	41	31	14	1	0.57
2.000	M16	36	16.5	81	120	51	41	30	14	1	0.64
4.000	M20	49.5	19	100	120	68	56	35	16	1	1.17
6.300	M24	57	22	117	120	78	65.5	40	18	1.5	1.74
10.600	M30	66	23.5	121	120	96.5	80.5	40	20	1.5	2.65
11.800	M36	80	27	155	400	109	91	50	22	2	6.55
15.000	M42	80	27	165	180	109	91	50	25	2.5	5.36