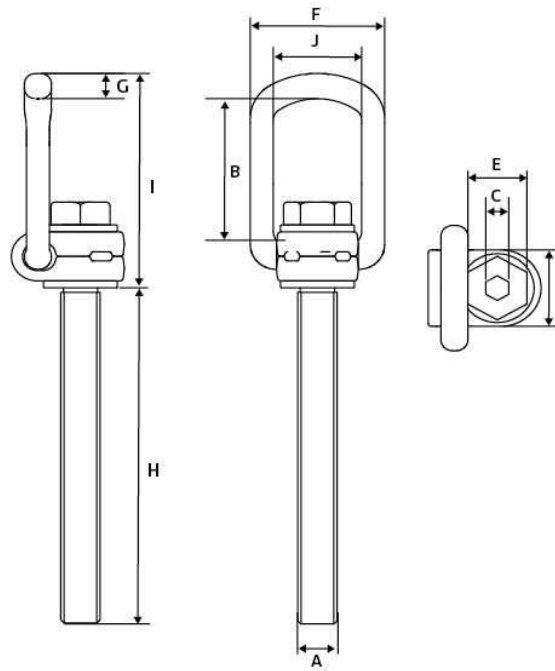


LPM LIFTING POINT

Long thread



WLL kg	A mm	B mm	C mm	D mm	E mm	F mm	G mm	H mm	I mm	J mm	Weight kg
300	M8	52.5	6	30	13	45	14	76	78	35	0.39
630	M10	52.5	6	30	17	45	14	95	85	35	0.43
1.500	M16	54	10	36	24	68	18	195	98	40	0.99
2.500	M20	80	12	50	30	83	16	185	125	54	2.27
4.000	M24	94	14	50	36	83	18	223	140	54	2.11
5.000	M30	106	17	68	41	120	27	280	175	73	5.35
8.000	M36	140.5	22	86	55	156	31	225	25	94	8.94
15.000	M36	155	24	95	65	176	40	263	261	104	14.60